



desktop



panel mount

- 85 keys, silicone rubber
- 38 mm ergonomic trackball
- IP67 sealing

IEC60945 MARINE KEYBOARD WITH ERGONOMIC TRACKBALL

This 85 key keyboard features a compact rubber keyboard with integrated waterproof ergonomic trackball. The backlit keys warrant for optimized performance while working in low-light environments. Panel mount and desktop version available.

MAIN FEATURES

- Certificate of Conformity fully compliant with IEC60945
- Compact layout, 85 full travel keys
- Dimmable backlighting at 8 levels by two dedicated keys (FN key + arrow up/down)
- Low power LED's warrant for a long life
- 38 mm waterproof ergonomic trackball with hall-effect scroll wheel
- Removable ball for easy cleaning
- Integrated left, middle and right switch functionality
- No external power supply necessary, keyboardport power sufficient
- White backlighting as standard, other colours on request
- Compact thickness

Panel mount version

- M3 studs
- Dimensions : 415 x 145 x 68 mm

Desktop version

- ABS enclosure
- Dimensions : 420 x 150 x 68 mm

CONNECTIVITY

One 1,6 m shielded USB cable.

COMPACT SAFE DISTANCE

0,6 m

GENERAL TECHNICAL SPECIFICATIONS

KEYBOARD

Sealing	: IP67 sealed frontal
Keys	: 85 rubber keys
Pointing Device	: 38 mm ergonomic trackball
Output	: 1,6 m. USB cable
Power requirements	: Directly from USB port
Operating temp.	: -0°C to +70°C
Storage temp. range	: -40°C to +85°C
Switch force	: 300 grams +- 100 grams
Switch stroke	: 1,5 mm
Lifetime switches	: 1 million actuations

TRACKBALL

Ball size/material	: Ø38.1mm (1.5")/Epoxy resin
Tracking force	: 20-40 grams – PTFE seal
Ball load	: 100N (10Kg) maximum downward pressure for 2 minutes @ 20°C
Resolvable ball speed	: 30 IPS (inches per second)
Tracking engine	: Infra-red optical navigation technology
Removable ring	: PC/ABS, black

SCROLL WHEEL

Wheel diameter	: Ø25mm
Wheel material	: PC/ABS
Wheel colour	: Grey
Encoding technology	: Hall effect
Magnet strength	: N42
Detent-scrolling force	: 30 grams nominal
Switch actuation force	: 275 ± 125 grams force

LEFT/RIGHT SWITCH

Switch actuation force : 250 ± 100 grams force

ORDER INFO

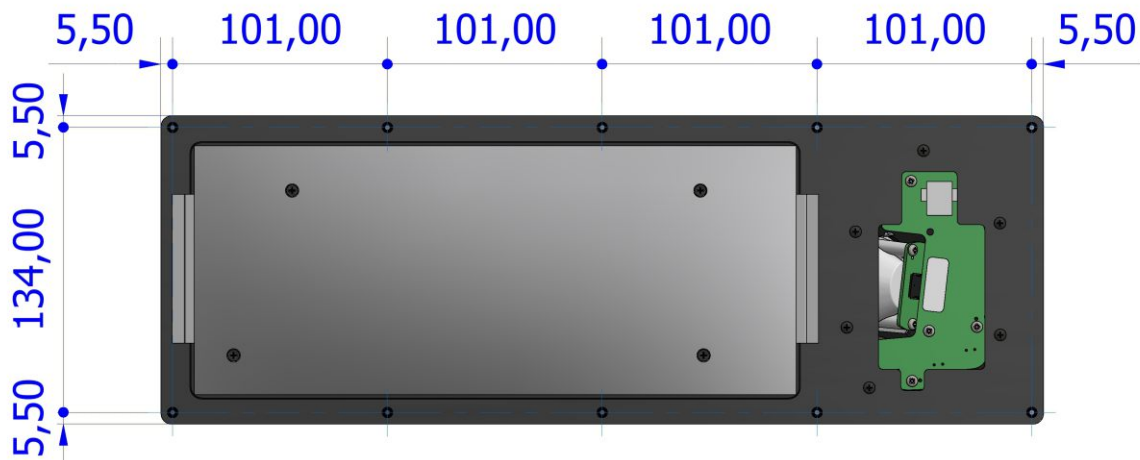
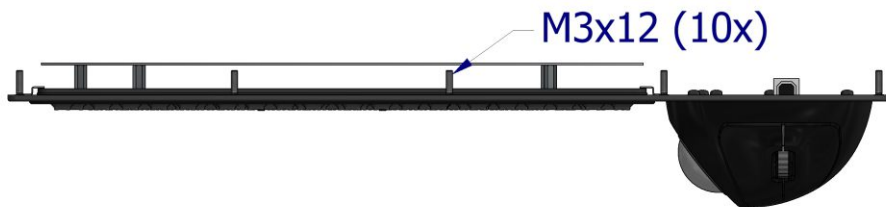
COUNTRY LAYOUT	BACKLIT VERSION		NON-BACKLIT VERSION	
	PANEL MOUNT	DESKTOP	PANEL MOUNT	DESKTOP
US Qwerty	RKTE85B0001-W-MC1	RKTE85S0001-W-MC1	RKTE85B0001-N-MC1	RKTE85S0001-N-MC1
German Qwertz			RKTE85B0049-N-MC1	RKTE85S0049-N-MC1

standard white backlight, other colours on request



DIMENSIONAL DRAWING
Panel mount version

RKTE85-MC1



Dim in mm.

The company reserves the right to alter without prior knowledge the specification or design of any standard product or service.



DIMENSIONAL DRAWING
Desktop version

RKTE85-MC1



Dim in mm.

The company reserves the right to alter without prior knowledge the specification or design of any standard product or service.