

Basic Fanless Embedded Computer with Intel 12th[®] CPU, 1x DP, 2x COM, 2x LAN, 1x 2.5" Drive Bay

Features

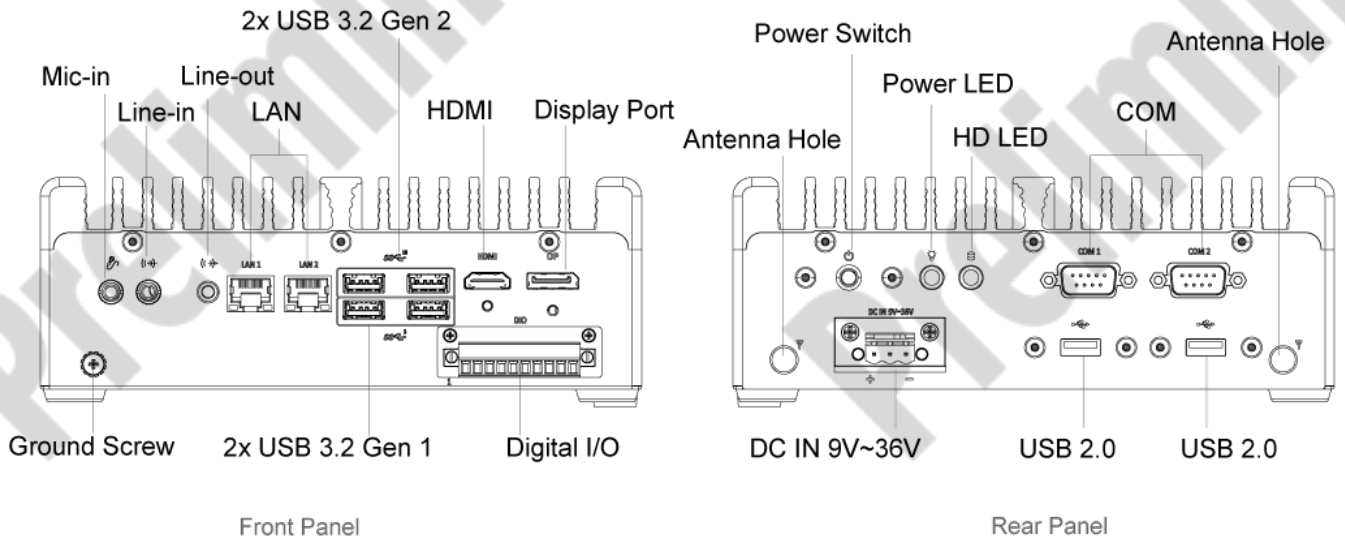
- Support 12th Gen Intel[®] IoTG Alder Lake-N Processor N97, QC, 12W
- DDR5 SODIMM. Max. up to 16GB (Default: 8GB)
- Dual Independent Display by 1x Display Port, 1x HDMI
- 2x Intel[®] I225-V 2.5GbE LAN
- 1x 2.5" Drive Bay
- 1x M.2 (B Key, (2242/ 2280/ 3042) (Default: 128GB M.2 SSD)
- 2x COM, 2x USB 3.2 Gen2, 2x USB 3.2 Gen1, 2x USB 2.0
- 9 to 36VDC Wide Range Power Input Supporting AT/ATX Mode
- Wide Operating Temperature 0°C to 50°C (12W CPU)
- TPM 2.0 Supported
- CE, FCC Class A



Specifications

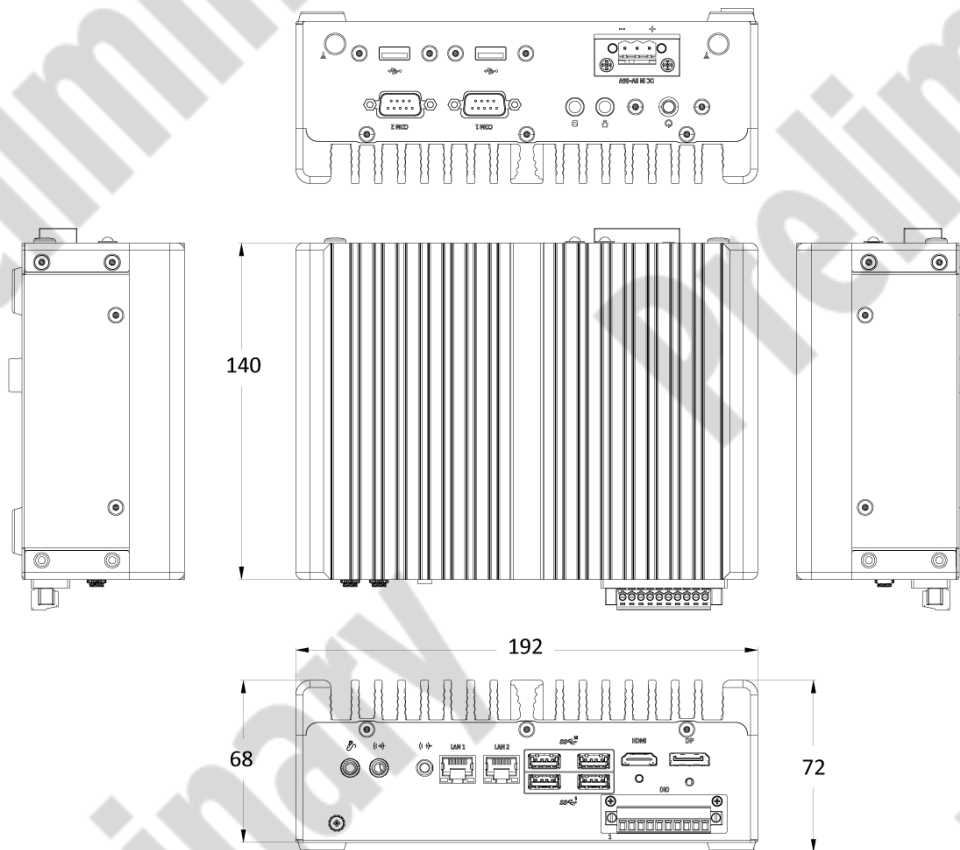
System	Environment
Processor Support 12th Gen Intel [®] IoTG Alder Lake-N Processor N97, QC, 12W System Chipset SoC integrated LAN Chipset 2x Intel [®] I225-V 2.5GbE LAN Audio Codec Realtek ALC897 System Memory DDR5 4800MT/s SODIMM. Max. up to 16 GB (Default: 8GB) Graphics Intel [®] UHD Graphics BIOS AMI UEFI BIOS Watchdog Software Programmable Supports 1~255 sec. System Reset TPM TPM 2.0	Operating Temperature 0°C to 50°C (12W CPU) Tested according to: IEC60068-2-1:2007 (Cold test procedure) IEC60068-2-2:2007 (Dry heat test procedure) IEC60068-2-3:2007 (Damp heat, steady state, test procedure) IEC60068-2-14:2009 (Wide temperature range thermal shock) Storage Temperature -30°C to 85°C Relative Humidity 10% to 95% (non-condensing) Certification EMC: • CE • FCC Class A (47 CFR part 15.109 and part 15.107) • ICES-003 • UKCA Green Product: • RoHS 3.0 (Directive 2015/863/EU) • REACH
Display Display Port 1x DisplayPort 1.4a Max Resolution 4096 x 2304 @60Hz HDMI 1x HDMI 1.4b Max Resolution 3840 x 2160 @30Hz Multiple Display 2x Independent Displays	Vibration IEC60068-2-64:2008 With SSD: 5 Grms (5 - 500 Hz, 0.5 hr/axis) Designed to comply with MIL-STD-810G Method 514.7 Procedure I Shock IEC60068-2-27:2008 With SSD: 50G half-sin 11ms Designed to comply with MIL-STD-810G Method 514.7 Procedure I Package Drop Test: ISTA 2A
Storage M.2 B-Key 1x M.2 B Key slot (2242/2280/3042) • Supports PCIe x1 signal • Supports B+M Key SSD • Default: 128GB SATA 1x 2.5" Drive Bay (7mm or 9mm)	Physical Dimensions (WxDxH) 192 x 140 x 68mm Construction Extruded Aluminum with Heavy Duty Metal Mounting Options Wall Mounting DIN-Rail Mounting (Optional)
Expansion M.2 1x M.2 E Key slot (2230) (Support PCIe x1 & USB 2.0; Support CNVi) Devices Supported: Intel [®] AX210 Wi-Fi 6E & BT-5.1 (vPro Supported)	
I/O Audio Line-in/Line-out/Mic-in COM 2x DB9 COM1: RS232/422/485 COM2: RS232" GPIO 8x GPIO LAN 2x RJ45 (2.5GbE) USB 2x USB 3.2 Gen2 2x USB 3.2 Gen1 2x USB 2.0 Type-A Others 2x Antenna Holes 1x Power button 1x HD LED 1x Power LED	
Operating System Windows Windows 10/11 Linux Linux Kernel	
Power Power Adapter Optional AC/DC 24V/9.2A, 60W Power Mode AT, ATX (Default ATX) Power Supply Voltage 9~36VDC Power Connector 3-pin Terminal Block	

External I/O Mechanical Layout



Dimension

Unit: mm



Available Models

Model No.	Description
BCO-1000-ADLN	Basic Fanless Embedded Computer with Intel 12th® CPU, 1x DP, 2x COM, 2x LAN, 1x 2.5" Drive Bay

Optional Accessories

Model No.	Description
1-E09A06008	Adapter AC/DC 12V 5A 60W with 3pin Terminal Block Plug 5.0mm Pitch
SFICBL022	Power Cord, 3-pin US Type, 180cm
1-TPCD00002	Power Cord, European Type, 180cm
1-TPCD00001	Power Cord, 3-pin UK Type, 180cm
3-DINR-0004	Din Rail-2 Mounting Kit

Packing List

1x BCO-1000-ADLN Fanless Mini Computer
1x Wall Mount Kit
1x Accessory Kit