

AI Inference / DeviceEdge

Jetson System AIE-PO23/33-3M AIE-PN33/43-3M



Features

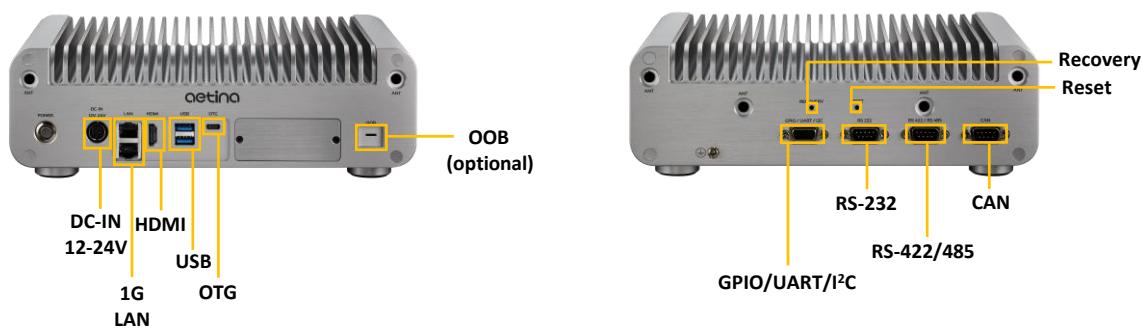
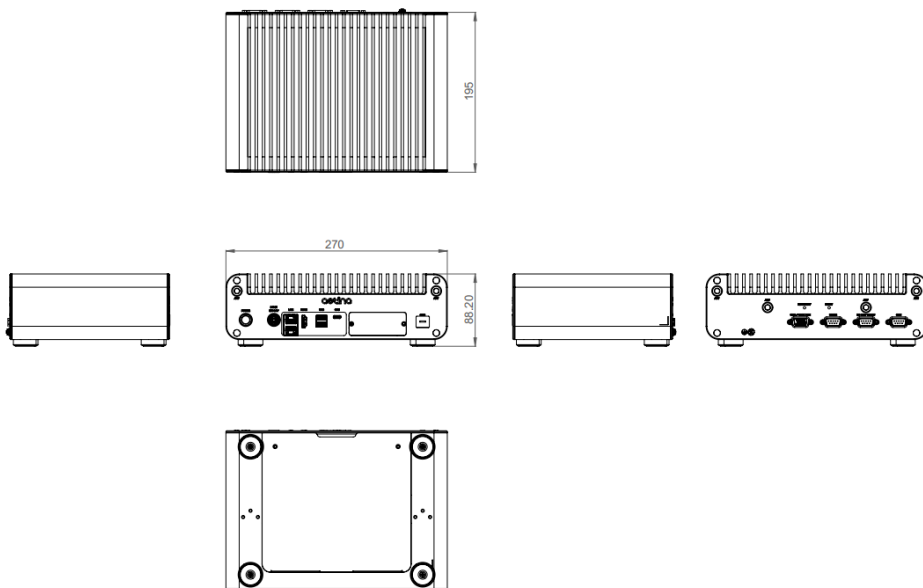
- Supports NVIDIA Jetson Orin Nano/NX Series
- 1 x M.2 B-Key/E-Key
- 3 x M.2 M-Key (1 x 128GB built-in)
- 2 x RJ-45 GbE Ports
- Wide Power Input Range 12 to 24 VDC
- Supports OOB (out-of-band) powered by Innodisk (optional)
- Operating temperature -25°C ~ +55°C
- Fanless Design



Specifications

| Model Number | AIE-PO23-3M / AIE-PO33-3M | AIE-PN33-3M / AIE-PN43-3M |
|------------------------|---|---|
| Module Compatibility | NVIDIA Jetson Orin Nano 4/8G | NVIDIA Jetson Orin NX 8/16GB |
| AI Performance | 20/40 TOPS | 70/100 TOPS |
| GPU | 512 Core NVIDIA Ampere, with 16 Tensor Cores 1024 Core NVIDIA Ampere, with 32 Tensor Cores | 1024 Core NVIDIA Ampere, with 32 Tensor Cores |
| CPU | 6-core Arm® Cortex®-A78AE v8.2 64-bit 1.5MB L2 + 4MB L3 | 6-core Arm® Cortex®-A78AE v8.2 64-bit 1.5MB L2 + 4MB L3 8-core Arm® Cortex®-A78AE v8.2 64-bit 2MB L2 + 4MB L3 |
| Memory | 4GB 64-bit LPDDR5 34 GB/s 8GB 128-bit LPDDR5 68 GB/s | 8GB 128-bit LPDDR5 102.4 GB/s 16GB 128-bit LPDDR5 102.4 GB/s |
| Storage | 1 x M.2 NVMe M-Key 2242 (128GB built-in) | |
| Display | 1 x HDMI 2.0 Type A | |
| LAN | 2 x RJ-45 GbE Ports | |
| USB | 2 x USB 3.2 Gen2 Type A (support up to 10 Gbps shared) 1 x OTG Type-C | |
| I/O Interfaces | 5 x GPIO, 1 x UART, 1 x I ² C, 1 x RS-232, 1 x RS-422/485, 1 x CAN (isolation; support CAN FD) | |
| Expansion | 1 x M.2 B-Key 3042/3052 (LTE/5G) 1 x M.2 E-Key 2230 (Wifi/BT) 1 x M.2 M-Key 2242 (NVMe 128GB built-in) 2 x M.2 M-Key 2280 (PCIe) | 1 x M.2 B-Key 3042/3052 (LTE/5G) 1 x M.2 E-Key 2230 (Wifi/BT) 1 x M.2 M-Key 2242 (NVMe 128GB built-in) 2 x M.2 M-Key 2280 (PCIe) |
| MISC. Function | 1 x Power Button, 1 x Recovery Button, 1 x Reset Button | |
| Power Input /Connector | DC-in 12-24VDC / 4-Pin DC Jack Power Connector | |
| Power consumption | Idle: 6.413 W Full Loading: 43.13* W | Idle: 6.413 W Full Loading: 43.13* W |
| | *For more test condition information, please refer to user manual | |
| Dimension (W x D x H) | 270 x 195 x 80 mm (10.63 x 7.67 x 3.15 in) | |
| Mounting | Wall Mount (optional) / Din Rail (optional) | |
| Net Weight | TBC kg (TBC lb) | |
| Vibration | 1 Grms, IEC 60068-2-64, random, 5 ~ 500 Hz, 1 hr/axis | |
| Shock | 10 G, IEC 60068-2-27, half sine, 11 ms duration | |
| Temperature | Operating Temp.: -25°C ~ +55°C (-13°F ~ +131°F) with 0.5 m/s air flow Storage Temp.: -40°C ~ +85°C (-40°F ~ +185°F) | |
| Humidity | 95% @ 40°C (104°F) (non-condensing) | |
| Software Support | Linux (Support Jetpack 5.0 above) | |
| Certification | CE / FCC Class A / UKCA | |

System & Mounting Dimensions



Ordering Information

| Model name | Description |
|------------------|--|
| AIE-PO23-3M-1-A1 | Orin Nano 4GB, 1 x HDMI, 2 x GbE, 2 x USB, 128GB SSD, B/E/M(x3) Key, 12 to 24 VDC input, -25°C ~ +55°C |
| AIE-PO33-3M-1-A1 | Orin Nano 8GB, 1 x HDMI, 2 x GbE, 2 x USB, 128GB SSD, B/E/M(x3) Key, 12 to 24 VDC input, -25°C ~ +55°C |
| AIE-PN33-3M-1-A1 | Orin NX 8GB, 1 x HDMI, 2 x GbE, 2 x USB, 128GB SSD, B/E/M(x3) Key, 12 to 24 VDC input, -25°C ~ +55°C |
| AIE-PN43-3M-1-A1 | Orin NX 16GB, 1 x HDMI, 2 x GbE, 2 x USB, 128GB SSD, B/E/M(x3) Key, 12 to 24 VDC input, -25°C ~ +55°C |

Packing List

| Item/Part Number | Description |
|------------------|-------------------------------------|
| AIE-PO23-3M-1-A1 | AIE-PO23-3M system w/ Orin Nano 4GB |
| AIE-PO33-3M-1-A1 | AIE-PO32-3M system w/ Orin Nano 8GB |
| AIE-PN33-3M-1-A1 | AIE-PN32-3M system w/ Orin NX 8GB |
| AIE-PN43-3M-1-A1 | AIE-PN42-3M system w/ Orin NX 16GB |
| 53-0F0000-0003 | 100-240V 60W 12V 5A power adaptor |

Accessories (Optional)

| Part Number | Description |
|----------------|----------------|
| 32-010000-0005 | US power cord |
| 32-010000-0006 | EU power cord |
| 32-010000-0008 | JP power cord |
| 3102000037N000 | UK power cord |
| 55-BEPX11-Z000 | Wall Mount Kit |
| 55-AEPX11-Z000 | Din Rail Kit |

Peripheral (Optional)

[Download the List](#)

