

AFL3 Apollo Lake with PoE

Intelligent PoE Management System

Features

- W7" light industrial interactive panel PC
- 12V DC input with lockable DC jack
- Selectable AT/ATX power mode
- Built-in speakers
- Support PoE PD IEEE803.2 af/at
- IP65 compliant front panel
- Touch screen with anti-UV / anti-glare coating
- Support Auto Flow Control over RS-485



Specifications

| Model | | AFL3-W07A-AL | AFL3-W07A-AL2 |
|----------------------|--|---|-------------------|
| LCD | Size | 7" | |
| | Resolution | 1024 x 600 (16:9) | |
| | Brightness (cd/m ²) | 500 | |
| | Contrast Ratio | 700:1 | |
| | Viewing Angle (H-V) | 150 / 145 | |
| | Backlight MTBF | 20000 | |
| Touch | Touch Screen | PCAP with USB interface (anti-UV/AG coating) | |
| | Touch Controller | EETI 80H60 | |
| Mainboard | CPU | Intel® Celeron N3350 (2M Cache, up to 2.4 GHz) TDP 6W | |
| | RAM | one 204-pin 1866MHz DDR3L DIMMs support up to 8GB | |
| | Ethernet | LAN1: Intel® I211 + LAN2: Intel® I211 | LAN1: Intel® I211 |
| | Audio Codec | Realtek ALC 888S | |
| Storage | 1 x M.2 B+M key 2242 slot (USB/SATA signal) | | |
| I/O Ports & Switch | 2 x GbE LAN 2 x USB 3.2 Gen 1 (5Gb/s) 2 x USB 2.0 1 x 12V DC Jack 1 x Power Button 1 x Reset button 1 x Clear CMOS button 1 x AT/ATX switch | 1 x GbE LAN 2 x USB 3.2 Gen1 (5Gb/s) 1 x RS232/422/485 (by DB9) 1 x HDMI 1 x 12 DC Jack 1 x Power Button 1 x Reset button 1 x Clear CMOS button 1 x AT/ATX switch | |
| PoE Support | On board PoE at | | |
| Audio | AMP 2W (internal speaker) | | |
| Wireless & Bluetooth | IEEE 802.11 a/b/g/n/ac, Bluetooth V4.1 M.2 slot A+E key 2230 slot (PCIe/USB signal) | | |
| Physical | Construction Front Panel | PC + ABS Plastic | |
| | Mounting | Panel, Wall, Stand and Arm VESA 75mm x 75mm | |
| | Color | Black C | |
| | Dimensions (W x H x D) (mm) | 191 x 127 x 43 | |
| | Cut-out Dimensions (W x H) | 182 x 111 | |
| | Net/Gross Weight (kgs) | 0.73/1.81 | |
| Environment | Operating Temperature (°C) (Ambient with air flow) | -20°C ~ 50°C | |
| | Storage Temperature (°C) | -20°C ~ 60°C | |
| | Humidity | 10% to 95% (non-condensing) | |
| | IP Level | IP 65 compliant front panel | |
| | Safety&EMC | CE / FCC class A | |
| Thermal Solution | Fanless | | |
| Power | Power Requirement | 12V/3A | |
| ErP | | ErP 2009/125/EC | |
| Supported OS | | Microsoft Windows® 10, Linux | |

AFL3 Apollo Lake with PoE

Intelligent PoE Management System

Features

- W10" ~ W15.6" light industrial interactive panel PC
- 9 V ~ 30 V wide range DC input with lockable DC jack
- Selectable AT/ATX power mode
- Built-in speakers
- Support PoE PD IEEE803.2 af/at/bt
- IP64/IP65 compliant front panel
- Touch screen with anti-UV / anti-glare coating
- Support Auto Flow Control over RS-485



Specifications

| Model | | AFL3-W10A-AL | AFL3-12A-AL | AFL3-W15A-AL |
|----------------------|---|--|--|--------------------|
| LCD | Size | 10.1" | 12.1" | 15.6" |
| | Resolution | 1280 x 800 (16:10) | 1024 x 768 (4:3) | 1366 x 768 (16:9) |
| | Brightness (cd/m ²) | 350 | 500 | 300 |
| | Contrast Ratio | 800:1 | 700:1 | 500:1 |
| | Viewing Angle (H-V) | 170 / 170 | 160 / 160 | 170 / 160 |
| | Backlight MTBF | 15000 | 50000 | 50000 |
| Touch | Touch Screen | PCAP with USB interface (anti-UV/anti-glare coating) | | |
| | Touch Controller | EXC3146 | EXC3146 | EXC3160 |
| Mainboard | CPU | Apollo lake Intel® Celeron® Processor J3455 (2M Cache, up to 2.3 GHz) TDP 10W | | |
| | RAM | one 204-pin 1866MHz DDR3L DIMMs support up to 8GB | | |
| | Ethernet | LAN1: Intel® I210 + LAN2: Intel® I210 | | |
| | Audio Codec | Realtek ALC 888S | | |
| Storage | 1 x M.2 B+M key 2242 slot (USB/SATA signal) | *1 x 2.5" SATA 3Gb/s HDD bay (optional one of the two) 1 x M.2 B+M key 2242 slot (USB/SATA signal) | | |
| I/O Ports & Switch | 1 x RS-232/422/485 by RJ45 (Support Auto Flow Control over RS-485) 1 x RS-232 by DP9 2 x GbE LAN 2 x USB 3.2 Gen 1 (5Gb/s) 2 x USB 2.0 1 x HDMI output | 1 x 9V~30V DC Jack 1 x Power Button 1 x Line out 1 x Reset button 1 x Clear CMOS button 1 x AT/ATX switch | | |
| PoE Support | Yes (option single channel) | | | |
| Audio | AMP 2W + 2W | AMP 3W + 3W (internal speaker) | | |
| Camera / Microphone | 2-megapixel with low light function, digital microphone | | | |
| Wireless & Bluetooth | IEEE 802.11 a/b/g/n/ac, Bluetooth V4.1 M.2 slot A+E key 2230 slot (PCIe/USB signal) | | | |
| Physical | Construction Front Panel | PC + ABS Plastic | | |
| | Mounting | Panel, Wall, Stand and Arm VESA 75mm x 75mm | Panel, Wall, Stand and Arm VESA 75mm x 75mm, 100mm x 100mm | |
| | Color | Black C | | |
| | Dimensions (W x H x D)(mm) | 262 x 181 x 42 | 304 x 243 x 44 | 396 x 250 x 53 |
| | Cut-out Dimensions (W x H) | 236 x 149 | 243 x 205 | 273 x 226 |
| | Net/Gross Weight (kgs) | 1.06/2.58 | 1.92/3.95 | 3.3/5.6 |
| Environment | Operating Temperature (°C) (Ambient with air flow) | -20°C ~ 50°C | | |
| | Storage Temperature (°C) | -20°C ~ 60°C | | |
| | Humidity | 10% to 95% (non-condensing) | | |
| | IP Level | IP 64 compliant front panel | | |
| | Safety&EMC | CE / FCC class A | | |
| | Thermal Solution | Fanless | | |
| Power | Power Requirement | 9 ~ 30V, 4~1, 2A | 9 ~ 30V, 6.67~2A | 9 ~ 30V, 6.67 ~ 2A |
| ErP | ErP 2009/125/EC | | | |
| Supported OS | Microsoft Windows® 10, Linux | | | |

*the 2.5" HDD bay must be removed if one chooses to install the PoE PD module, and vice versa

Ordering Information

| Part No. | Description |
|------------------------------|---|
| AFL3-W07A-AL-N1/P/PC/4G-R11 | 7" 500cd/m ² 1024x600 fanless Panel PC with Intel® Celeron® Processor N3350 (6W) on-board Processor , on-board POE at, 1*4GB DDR3L , 802.11a/b/g/n/ac WiFi module, PCAP touch, R11 |
| AFL3-W07A-AL2-N1/P/PC/4G-R10 | 7" 500cd/m ² 1024 x 600 Panel PC with Intel® Celeron® Processor N3350 (6W) on-board Processor, w/COM, on-board POE at, 1*4GB DDR3L, WiFi module, PCAP touch, R10 |
| AFL3-W10A-AL-J2/P/PC/4G-R10 | 10.1" 350cd/m ² 1280 x 800 Panel PC with Intel® Celeron® Processor J3455 (10W) on-board Processor, POE option, 1*4GB DDR3L, 802.11a/b/g/n/ac WiFi module, PCAP touch, 2M camera, microphone, R10 |
| *AFL3-12A-AL-J2/P/PC/4G-R10 | 12.1" 500 cd/m ² 1024 x 768 Panel PC with Intel® Celeron® Processor J3455 (10W) on-board Processor, POE option, 1*4GB DDR3L, 802.11a/b/g/n/ac WiFi module, PCAP touch, 2M camera, microphone, R10 |
| *AFL3-W15A-AL-J2/P/PC/4G-R10 | Wide 15.6" 300 cd/m ² 1366 x 768 Panel PC with Intel® Celeron® Processor J3455 (10W) on-board Processor, POE option, 1*4GB DDR3L, 802.11a/b/g/n/ac WiFi module, PCAP touch, 2M camera, microphone, R10 |
| AFL3-PD-BT01-KIT01-R10 | PoE PD IEEE802.3 af/at/bt module kit, only for AFL3-xxx-AL optional (W10A/12A/W15A), R10 |

*the 2.5" HDD bay must be removed if one chooses to install the PoE PD module, and vice versa

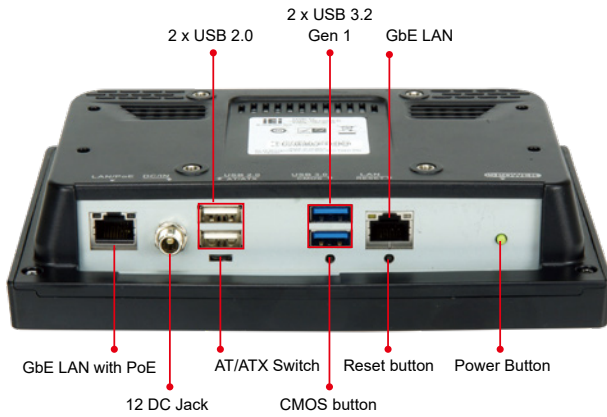
Options

| Item | AFL3-W07A-AL | AFL3-W07A-AL2 | AFL3-W10A-AL | AFL3-12A-AL | AFL3-W15A-AL |
|-------------------------------------|---|---------------------|------------------------|------------------------|------------------------|
| Panel Mounting Kit | AFL3PK-W07A-R11 | AFL3PK-W07A-R11 | AFL3PK-08A-R10 | AFL3PK-08A-R10 | AFL3PK-W15A-R10 |
| Wall Mounting Kit | AFLWK-12 | AFLWK-12 | AFLWK-12 | AFLWK-19B | AFLWK-19B |
| Rack Mounting Kit | AFL3RK-W07A-R11 | AFL3RK-W07A-R11 | AFL3RK-W10A-R10 | - | AFL3RK-W15A-R11 |
| Arm | ARM-11-RS/ARM-31-RS | ARM-11-RS/ARM-31-RS | ARM-11-RS/ARM-31-RS | ARM-11-RS/ARM-31-RS | ARM-11-RS/ARM-31-RS |
| Stand | STAND-A21-R10/STAND-210-R11/STAND-C12-R10 | | | | |
| V-Stand | VSTAND-A07-R1 | VSTAND-A07-R1 | VSTAND-A10-R11 | VSTAND-A12-R11 | |
| Barcode Scanner | N/A | N/A | AFL3-2D-R11 | AFL3-2D-R11 | AFL3-2D-R11 |
| RFID Reader (13.56 MHz Mifare Type) | N/A | N/A | AFL3-MF-RFID-KIT02-R11 | AFL3-MF-RFID-KIT02-R11 | AFL3-MF-RFID-KIT02-R11 |
| OS: Win 10 IOT Enterprise (64-bit) | AFL3-W07A-AL-W10E64-E-R10 | | | | |
| PoE PD module | N/A | N/A | AFL3-PD-BT01-KIT01-R10 | AFL3-PD-BT01-KIT01-R10 | AFL3-PD-BT01-KIT01-R10 |

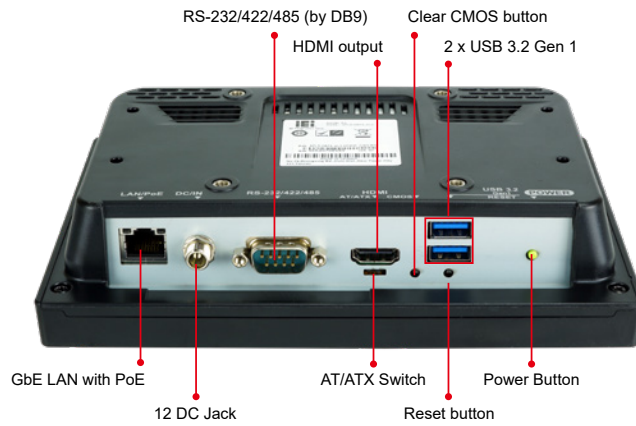
Packing List

| Item | Part No. | Q'ty | Remark |
|---------------------------------------|---------------------|------|--|
| Setting kit | 46003-002600-RS | 2 | |
| Round head machine screw | 44003-020041-RS | 2 | M2*4 round head machine screw |
| | 44003-020041-RS | 4 | M2*4 round head machine screw |
| Pan head machine screw | 44403-040061-RS | 4 | M4*6 pan head machine screw |
| Fix holder | 46003-009500-RS | 2 | |
| Power cord | 32702-000400-200-RS | 1 | |
| Power adapter | 63040-010036-210-RS | 1 | Vin:90~264VAC;36W, Vout:12VDC;Φ2.5/Φ5.5/lock (AFL3-W07A-AL / AFL3-W07A-AL2 / AFL3-W10A-AL) |
| | 63040-010060-211-RS | 1 | Vin:90~264VAC;36W, Vout:12VDC;Φ2.5/Φ5.5/lock (AFL3-12A-AL / AFL3-W15A-AL) |
| RJ-45 to DB-9 COM port transfer cable | 32005-004600-100-RS | 1 | 300mm, 26AWG, (A) D-SUB 9 male, (B) RJ-45 |

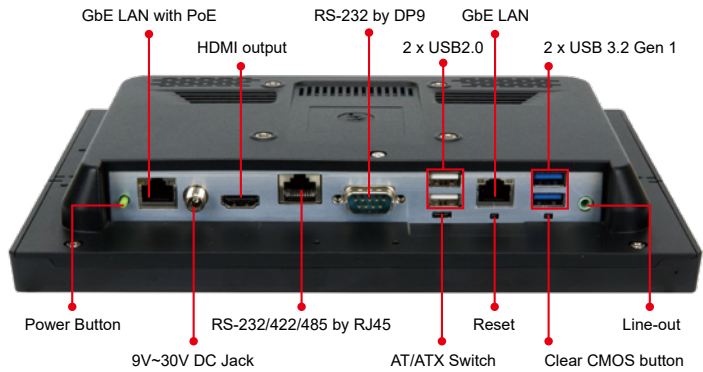
AFL3-W07A-AL
Fully Integrated I/O



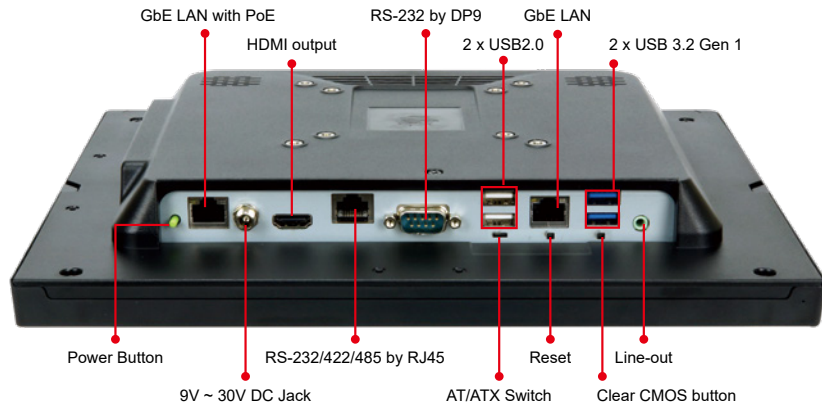
AFL3-W07A-AL2
Fully Integrated I/O



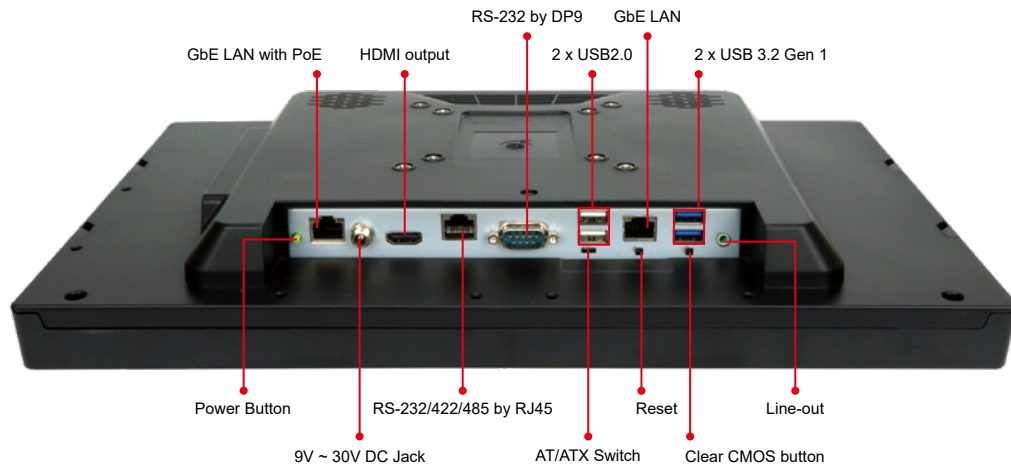
AFL3-W10A-AL
Fully Integrated I/O



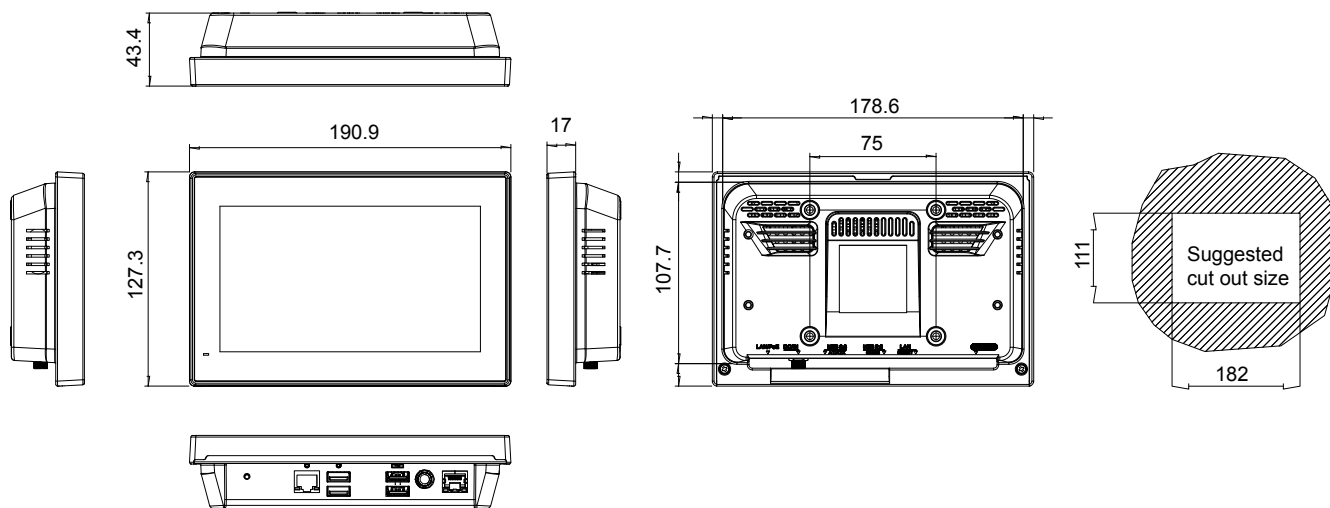
AFL3-12A-AL
Fully Integrated I/O



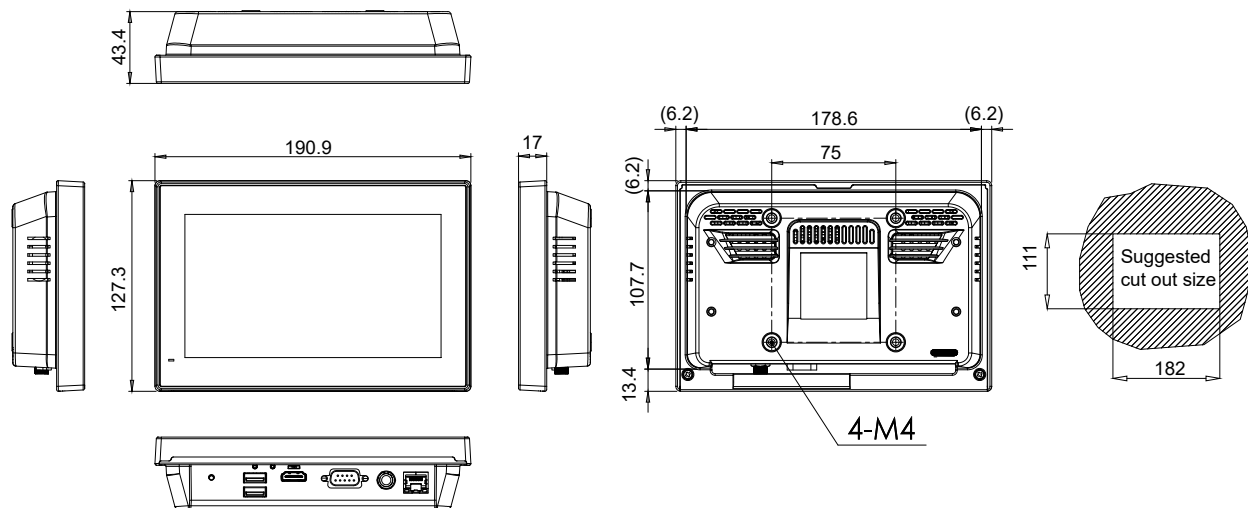
AFL3-W15A-AL
Fully Integrated I/O



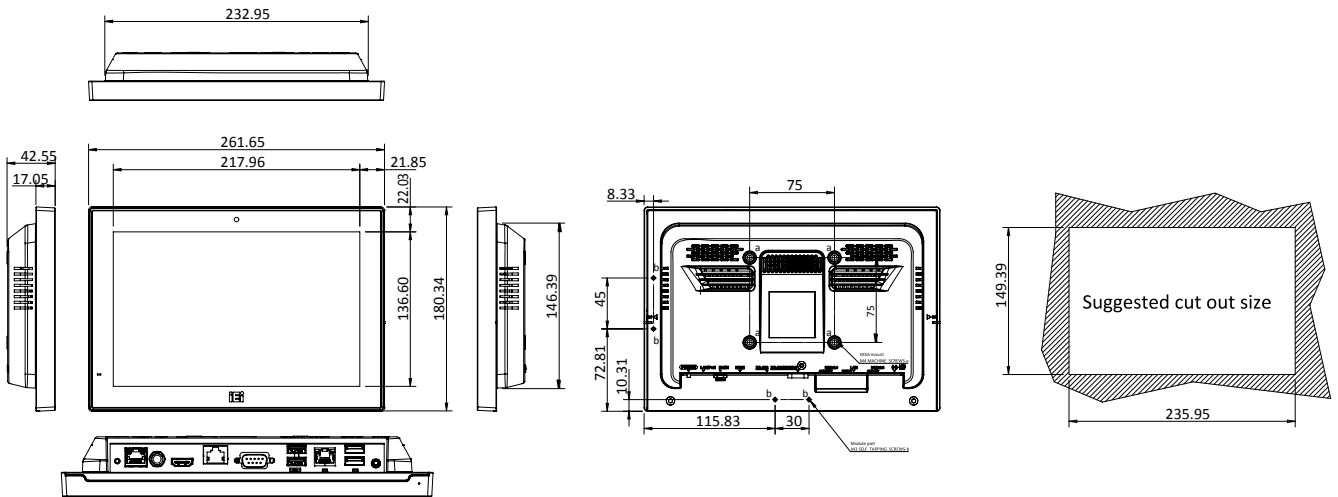
AFL3-W07A-AL Dimensions (Unit: mm)



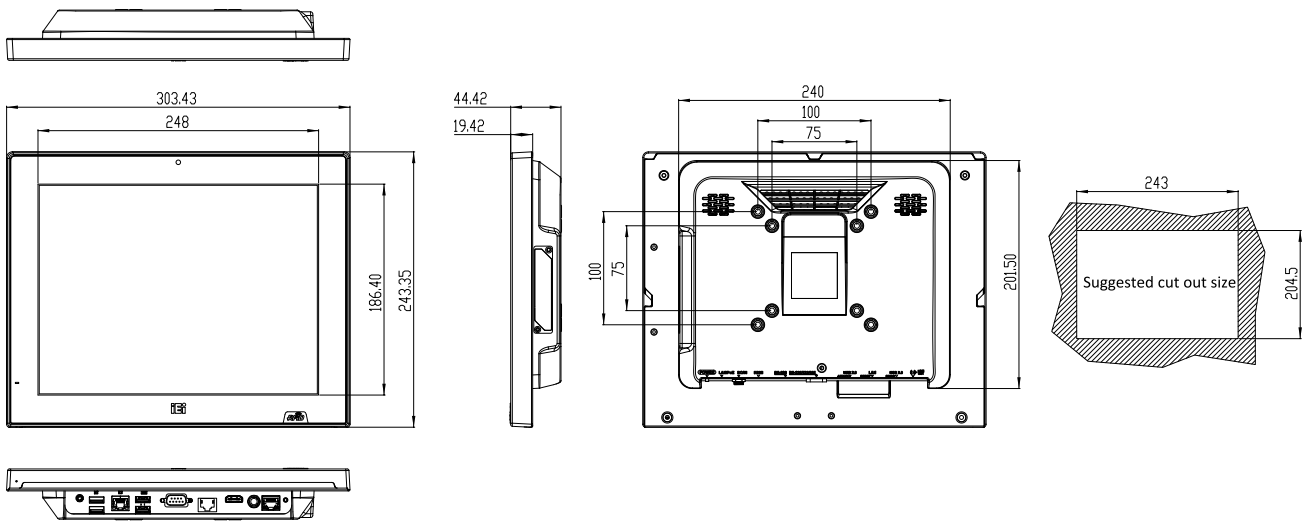
AFL3-W07A-AL2 Dimensions (Unit: mm)



AFL3-W10A-AL Dimensions (Unit: mm)



AFL3-12A-AL Dimensions (Unit: mm)



AFL3-W15A-AL Dimensions (Unit: mm)

